

2008

Identification of a novel picornavirus related to cosaviruses in a child with acute diarrhea+

Lori R. Holtz
Washington University School of Medicine in St. Louis

Stacy R. Finkbeiner
Washington University School of Medicine in St. Louis

Carl D. Kirkwood
Royal Children's Hospital

David Wang
Washington University School of Medicine in St. Louis

Follow this and additional works at: https://digitalcommons.wustl.edu/open_access_pubs



Part of the [Medicine and Health Sciences Commons](#)

Please let us know how this document benefits you.

Recommended Citation

Holtz, Lori R.; Finkbeiner, Stacy R.; Kirkwood, Carl D.; and Wang, David, "Identification of a novel picornavirus related to cosaviruses in a child with acute diarrhea+." *Virology Journal*. 5, 159. (2008).
https://digitalcommons.wustl.edu/open_access_pubs/276

This Open Access Publication is brought to you for free and open access by Digital Commons@Becker. It has been accepted for inclusion in Open Access Publications by an authorized administrator of Digital Commons@Becker. For more information, please contact vanam@wustl.edu.

Short report

Open Access

Identification of a novel picornavirus related to cosaviruses in a child with acute diarrhea

Lori R Holtz¹, Stacy R Finkbeiner², Carl D Kirkwood³ and David Wang^{*2}

Address: ¹Department of Pediatrics, Washington University School of Medicine, St. Louis, MO USA, ²Departments of Molecular Microbiology and Pathology and Immunology, Washington University School of Medicine, St. Louis, MO USA and ³Enteric Virus Research Group, Murdoch Childrens Research Institute, Royal Children's Hospital, Victoria, Australia

Email: Lori R Holtz - holtz_l@kids.wustl.edu; Stacy R Finkbeiner - sfinkbe@artsci.wustl.edu; Carl D Kirkwood - carl.kirkwood@mcri.edu.au; David Wang* - davewang@wustl.edu

* Corresponding author

Published: 22 December 2008

Received: 6 December 2008

Virology Journal 2008, **5**:159 doi:10.1186/1743-422X-5-159

Accepted: 22 December 2008

This article is available from: <http://www.virologyj.com/content/5/1/159>

© 2008 Holtz et al; licensee BioMed Central Ltd.

This is an Open Access article distributed under the terms of the Creative Commons Attribution License (<http://creativecommons.org/licenses/by/2.0>), which permits unrestricted use, distribution, and reproduction in any medium, provided the original work is properly cited.

Abstract

Diarrhea, the third leading infectious cause of death worldwide, causes approximately 2 million deaths a year. Approximately 40% of these cases are of unknown etiology. We previously developed a metagenomic strategy for identification of novel viruses from diarrhea samples. By applying mass sequencing to a stool sample collected in Melbourne, Australia from a child with acute diarrhea, one 395 bp sequence read was identified that possessed only limited identity to known picornaviruses. This initial fragment shared only 55% amino acid identity to its top BLAST hit, the VP3 protein of Theiler's-like virus, suggesting that a novel picornavirus might be present in this sample. By using a combination of mass sequencing, RT-PCR, 5' RACE and 3' RACE, 6562 bp of the viral genome was sequenced, which includes the entire putative polyprotein. The overall genomic organization of this virus was similar to known picornaviruses. Phylogenetic analysis of the polyprotein demonstrated that the virus was divergent from previously described picornaviruses and appears to belong to the newly proposed picornavirus genus, *Cosavirus*. Based on the analysis discussed here, we propose that this virus represents a new species in the *Cosavirus* genus, and it has tentatively been named Human *Cosavirus* EI (HCoSV-EI).

Findings

Diarrhea is the third leading infectious cause of death worldwide and causes approximately 2 million deaths each year [1]. Additionally, an estimated 1.4 billion non-fatal episodes occur yearly [2,3]. Importantly, it is estimated that 40% of diarrhea cases are of unknown etiology [4-6]. Motivated by an interest to identify novel or unrecognized viruses associated with diarrhea, we recently developed a mass sequencing strategy to define the spectrum of viruses present in human stool [7]. Using this approach, we describe here the identification of a novel virus in a stool sample collected in 1981 at the Royal Chil-

dren's Hospital in Melbourne, Australia from a child with acute diarrhea.

Previous testing of this diarrhea specimen for known enteric pathogens using routine enzyme immunoassays (EIA) and culture assays for rotaviruses, adenoviruses, and common bacterial and parasitic pathogens was negative [8]. Additionally, RT-PCR assays for caliciviruses and astroviruses were also negative [8,9], making this sample a good candidate for viral discovery efforts as described [7].

In brief, 200 mg of frozen stool was chipped and then resuspended in 6 volumes of PBS [7]. The sample was centrifuged to pellet particulate matter and the supernatant was then passed through a 0.45 µm filter. RNA was isolated from 100 µL primary stool filtrate using RNA-Bee (Tel-Test, Inc.) according to manufacturer's instructions. Approximately, 100 nanograms of RNA was randomly amplified using the Round AB protocol as previously described [10]. The amplified nucleic acid was cloned into pCR4.0 using the TOPO cloning kit (Invitrogen, Carlsbad, CA), and clones were sequenced using standard Sanger chemistry [7]. High quality sequences were compared to the GenBank nr database by BLASTx and one 395 bp sequence read was identified in this sample that had only 55% identity at the amino acid level to its top hit, the VP3 protein of Theiler's-like virus, a murine picornavirus in the genus cardiovirus.

Picornaviruses are non-enveloped viruses with a single stranded positive-sense RNA genome that encodes a single polyprotein [11]. The genomes range in size from approximately 7 kb to 8.5 kb in length, are polyadenylated, and have 5' and 3' non-translated regions. The 5'-non-translated regions of picornaviruses are highly structured and contain an internal ribosome entry site (IRES) that directs translation of the RNA by internal ribosome binding [11]. The 3'-non-translated region also contains a secondary structure, including a pseudoknot, that has been implicated in controlling viral RNA synthesis [11]. Recently, Kapoor et al identified multiple novel related picornaviruses which they propose belong to a new genus, cosavirus. These viruses were found in the stools of both healthy children and those with acute flaccid paralysis in

Pakistan and Afghanistan [12]. Additionally, 1 stool from a 64 year old woman in Scotland was found to be positive for Human Cosavirus A. Other picornaviruses have also been found in stool such as enteroviruses, polio, and aichi virus [11,13].

Using a combination of direct Sanger sequencing, RT-PCR, 5' and 3' random amplification of cDNA ends (RACE), and 454 sequencing performed on RNA isolated from the stool sample, a 6562 bp contig [GenBank: [FJ555055](#)] containing the entire predicted polyprotein and the 3' untranslated region to the poly A tail was generated. For these sequencing experiments, the stool filtrate was proteinase K and DNase treated prior to RNA extraction. RT-PCR and 3'RACE reactions were performed using SuperScript III and Platinum Taq (Invitrogen One-Step RT-PCR). For 5'RACE reactions cDNA was generated with Stratascript (Stratagene) and amplified with Accuprime Taq (Invitrogen). The initial assembly was confirmed by sequencing a series of four overlapping RT-products to give 2.7× coverage. All amplicons were cloned into pCR4 (Invitrogen) and sequenced using standard sequencing technology. Despite repeated efforts, we were unable to obtain additional sequence at the 5' end, presumably due to the presence of RNA secondary structures. Even performing 5' RACE reactions at 65 °C or 70 °C with multiple high temperature reverse transcriptases (Monsterscript [Epicentre Biotechnologies], rTth [Applied Biosystems], and Thermoscript [Invitrogen]) did not extend the contig further in the 5' direction.

Analysis of the contig sequence showed that this virus has a genomic organization similar to other picornaviruses

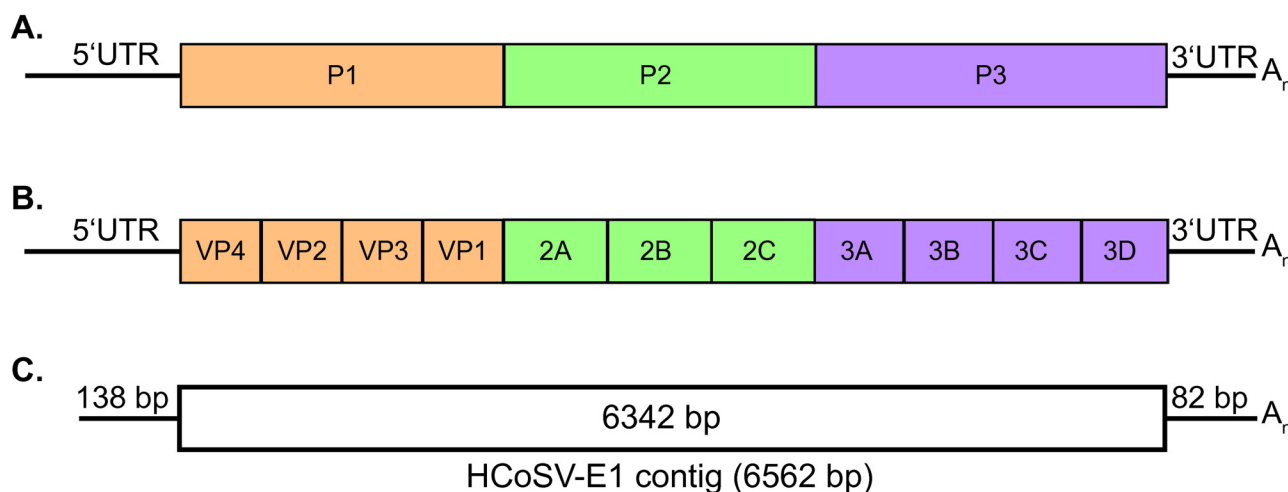


Figure 1
Genomic organization of Cosavirus. Schematic of initial protein products P1, P2, and P3 (A). Schematic of processed polyprotein (B). Representation of sequence obtained from Human Cosavirus-E1 (C).

(figure 1). Using Pfam [14], conserved motifs characteristic of picornaviruses were found to be present, including two picornavirus capsid proteins, RNA helicase, 3C cysteine protease, and RNA dependent RNA polymerase. Predicted polyprotein cleavage sites were identified by scanning for conserved amino acids characteristic for cleavage sites [GenBank: [FJ555055](#)] as described [15]. We performed phylogenetic analysis on each of the three coding regions: P1 (Figure 2A), P2 (Figure 2B) and P3 (Figure 2C). Protein sequences associated with the following reference virus genomes were obtained from GenBank: Equine Rhinitis A virus ([NP_653075.1](#)), Foot-and-mouth-type-O ([NP_658990.1](#)), Equine Rhinitis B virus ([NP_653077.1](#)), Theiler's-like virus of rats ([BAC58035.1](#)), Saffold virus ([YP_001210296.1](#)), Theiler murine encephalomyelitis ([AAA47929.1](#)), Mengo virus ([AAA46547.1](#)), Encephalomyocarditis virus ([CAA60776.1](#)), Seneca valley virus ([DQ641257](#)), Aichi virus ([NP_047200.1](#)), and Porcine teschovirus ([NP_653143.1](#)). Human cosavirus sequences ([FJ438825-FJ438908](#) and [FJ442991-FJ442995](#)) were kindly provided by E. Delwart. Multiple sequence alignments were performed using ClustalX (1.83). The amino acid alignments generated by ClustalX were input into PAUP [16], and maximum parsimony analysis was performed using the default settings with 1,000 replicates.

Phylogenetic analysis demonstrated that this virus sequence is highly divergent from previously described picornaviruses and is most closely related to viruses in the newly reported genus cosavirus (Figure 2) [12]. According to the Picornavirus study group [17] members of a genus should share > 40%, > 40% and > 50% amino acid identity in P1, P2 and P3 genome regions respectively. For all picornavirus genera except aphovirus, species are defined as sharing > 70% amino acid identity in P1 and > 70% amino acid identity in 2C and 3CD [18]. Sequences from the 4 previously described cosavirus species share 48–55% amino acid identity in the P1 region to each other and 63–72% identity in the 3D [12]. This virus had 51% amino acid identity to the P1 region, 88% amino acid identity to 2C, and 77% amino acid identity to 3CD of HCoV-D1, its closest relative based on phylogenetic analysis of the entire polyprotein (data not shown). Given that this virus does not meet all criteria for inclusion in the existing cosavirus species, we propose that this virus be considered a new species within the cosavirus genus. Therefore we have tentatively named this virus Human Cosavirus E1 (HCoV-E1).

A subset of viruses in the family *Picornaviridae*, members of the genera *Cardiovirus*, *Aphovirus*, *Erbovirus*, *Kobuvirus*, *Teschovirus* and the proposed genera *Sapelovirus* and *Senecavirus* [11,19,20], encode a leader protein (L) at the N terminus of the polyprotein. In addition, cardioviruses

also encode for a L* protein, a protein that is initiated from an alternative AUG downstream from the initiation site of the polyprotein. Neither HCoV-E1 nor the other described members of the proposed genus cosavirus appeared to encode an L or L* protein. [12]

253 pediatric stool specimens sent to the clinical microbiology lab for bacterial culture at the St. Louis Children's Hospital and 143 stool samples from children with acute diarrhea at the Royal Children's Hospital (Melbourne, Australia) were analyzed for the presence of HCoV-E1 by RT-PCR using primers (LG0053: 5'-GAACTCATGCAACTTACCCAGC-3' and LG0052: 5'-GCCAAGACATGATCCAACGG-3') designed to the 3D region of the genome. None of these samples were positive for the presence of HCoV-E1. This suggests that the prevalence rate of HCoV-E1 is more similar to the reported cosavirus prevalence in Scotland (1/1000) than that described in Pakistan [12]. However, obtaining more sequence from the 5'UTR of HCoV-E1, would enable design of more robust screening primers to more comprehensively analyze these cohorts for the presence of viruses closely related to HCoV-E1. Additionally, usage of conserved primers capable of detecting all of the known cosaviruses could potentially reveal the presence of other cosaviruses in these cohorts of stool samples.

At this time the relationship of HCoV-E1 to diarrhea or other human diseases is unknown. One possibility is that HCoV-E1 represents a true human pathogen that causes gastroenteritis. Alternatively, it may be a human pathogen that is shed in the stool, but causes extraintestinal disease such as poliovirus. Another possibility is that HCoV-E1 may be a commensal or symbiotic microbe. Additionally, it is also possible that HCoV-E1 is a result of dietary ingestion and is not a virus that truly infects or replicates in human cells. Regardless of the clinical role of HCoV-E1, the identification of HCoV-E1 in this study further emphasizes the tremendous microbial diversity of the human gut that remains to be discovered and the need for systematic investigations of the human "virome". In addition, future work will focus on defining if HCoV-E1 is a true human pathogen.

Competing interests

The authors declare that they have no competing interests.

Authors' contributions

DW conceived and designed the experiments. LH carried out the experiments and analysis. SF participated in the design and analysis of the experiments. CK contributed samples and edited manuscript. LH and DW wrote the paper.

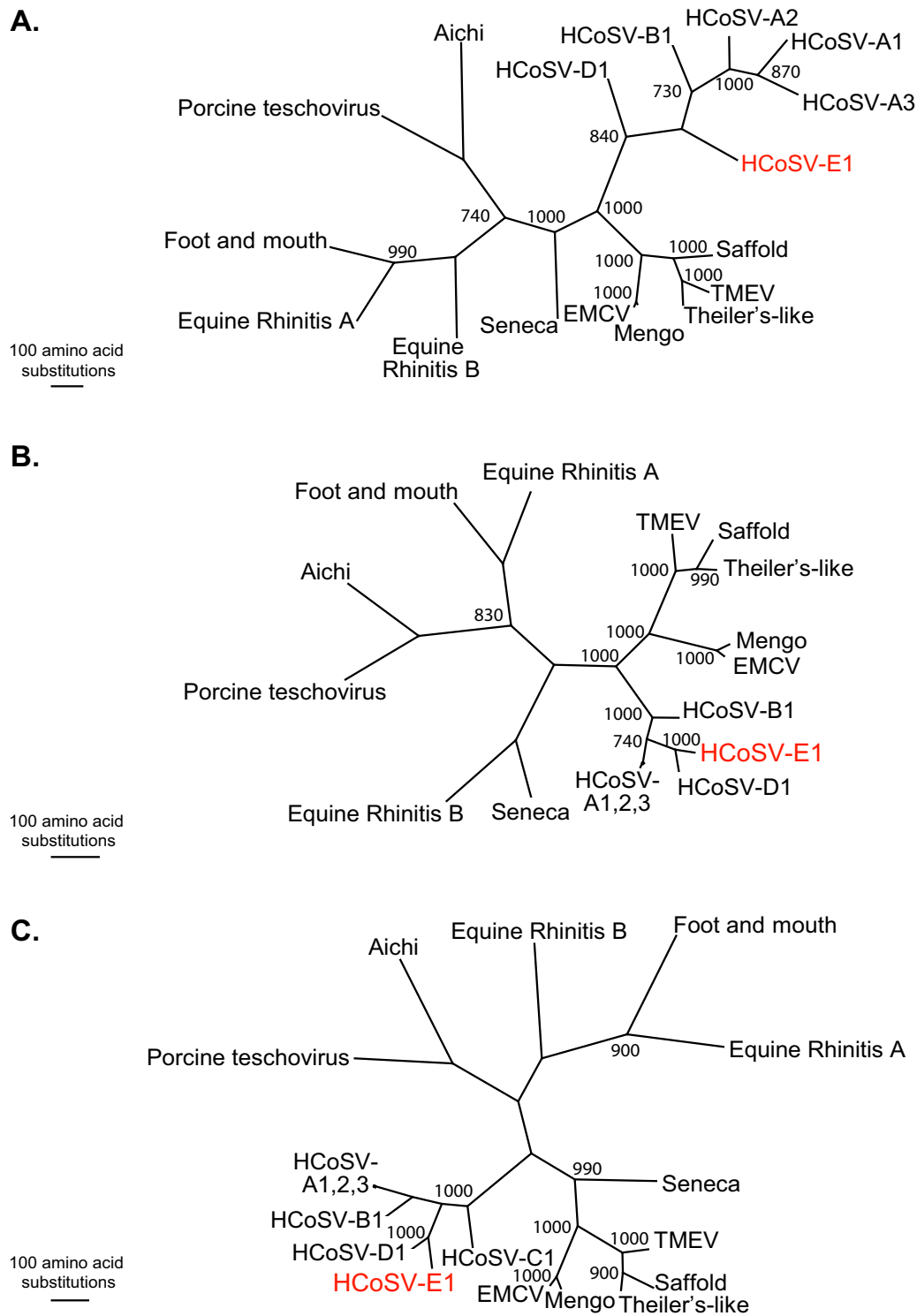


Figure 2
Phylogenetic Analysis of HCoV-E1. Multiple sequence alignments were generated with HCoV-E1 P1 (A), P2 (B), and P3 (C) sequences and the corresponding regions of known picornaviruses using ClustalX. PAUP was used to generate phylogenetic trees and bootstrap values (> 700) from 1,000 replicates are shown.

Acknowledgements

We would like to thank Drs. Gregory Storch and Binh-Minh Le for their help in the accrual and processing of the St. Louis stool specimens. This study was supported in part by National Institutes of Health grant U54 AI057160 to the Midwest Regional Center of Excellence for Biodefense and Emerging Infectious Diseases Research (MRCE). This research was also supported in part by the National Institutes of Health under Ruth L. Kirschstein National Research Service Award (5 T32 DK077653) from the NIDDK and in part by an NHMRC RD Wright Research Fellowship (ID 334364, CK).

References

1. **World Health Report.** World Health Organization; 2004.
2. Kosek M, Bern C, Guerrant RL: **The global burden of diarrhoeal disease, as estimated from studies published between 1992 and 2000.** *Bull World Health Organ* 2003, **81**:197-204.
3. O'Ryan M, Prado V, Pickering LK: **A millennium update on pediatric diarrheal illness in the developing world.** *Semin Pediatr Infect Dis* 2005, **16**:125-136.
4. Denno DM, Stapp JR, Boster DR, Qin X, Clausen CR, Del Beccaro KH, Swerdlow DL, Braden CR, Tarr PI: **Etiology of diarrhea in pediatric outpatient settings.** *Pediatr Infect Dis J* 2005, **24**:142-148.
5. Kapikian AZ: **Viral gastroenteritis.** *Jama* 1993, **269**:627-630.
6. Chikhi-Brachet R, Bon F, Toubiana L, Pothier P, Nicolas JC, Flahault A, Kohli E: **Virus diversity in a winter epidemic of acute diarrhea in France.** *J Clin Microbiol* 2002, **40**:4266-4272.
7. Finkbeiner SR, Allred AF, Tarr PI, Klein EJ, Kirkwood CD, Wang D: **Metagenomic analysis of human diarrhea: viral detection and discovery.** *PLoS Pathog* 2008, **4**:e1000011.
8. Kirkwood CD, Clark R, Bogdanovic-Sakran N, Bishop RF: **A 5-year study of the prevalence and genetic diversity of human caliciviruses associated with sporadic cases of acute gastroenteritis in young children admitted to hospital in Melbourne, Australia (1998-2002).** *J Med Virol* 2005, **77**:96-101.
9. Mustafa H, Palombo EA, Bishop RF: **Improved sensitivity of astrovirus-specific RT-PCR following culture of stool samples in CaCo-2 cells.** *J Clin Virol* 1998, **11**:103-107.
10. Wang D, Urisman A, Liu YT, Springer M, Ksiazek TG, Erdman DD, Mardis ER, Hickenbotham M, Magrini V, Eldred J, et al.: **Viral discovery and sequence recovery using DNA microarrays.** *PLoS Biol* 2003, **1**:E2.
11. Racaniello VR: **Picornaviridae: The Viruses and Their Replication.** In *Fields Virology Volume 1*. 5th edition. Edited by: Howley DM, Knipe DM. Philadelphia: Lippincott Williams & Wilkins; 2007:795-838.
12. Kapoor A, Victoria J, Simmonds P, Slikas E, Chieochansin T, Naeem A, Shaikat S, Sharif S, Alam MM, Angez M, et al.: **A highly prevalent and genetically diversified Picornaviridae genus in South Asian children.** *Proc Natl Acad Sci USA* 2008.
13. Yamashita T, Kobayashi S, Sakae K, Nakata S, Chiba S, Ishihara Y, Isomura S: **Isolation of cytopathic small round viruses with BS-C-1 cells from patients with gastroenteritis.** *J Infect Dis* 1991, **164**:954-957.
14. Finn RD, Mistry J, Schuster-Bockler B, Griffiths-Jones S, Hollich V, Lassmann T, Moxon S, Marshall M, Khanna A, Durbin R, et al.: **Pfam: clans, web tools and services.** *Nucleic Acids Res* 2006, **34**:D247-251.
15. Kapoor A, Victoria J, Simmonds P, Wang C, Shafer RW, Nims R, Nielsen O, Delwart E: **A highly divergent picornavirus in a marine mammal.** *J Virol* 2008, **82**:311-320.
16. Swofford DL: **PAUP*. Phylogenetic Analysis Using Parsimony (*and other methods)** Sunderland, Massachusetts: Sinauer Associates; 1998.
17. Stanway G, Brown F, Christian P, Hovi T, Hyypia T, King AMQ, Knowles NJ, Lemon SM, Minor PD, Pallansch MA, Palmenberg AC, Skern T: **Family Picornaviridae.** In *Virus Taxonomy Eighth Report of the International Committee on Taxonomy of Viruses* Edited by: Fauquet CM, Mayo MA, Maniloff J, Desselberger U, Ball LA. London: Elsevier/Academic Press; 2005:757-778.
18. CM Fauquet MAM, Maniloff J, Desselberger U, Ball LA, Ed.: **Virus Taxonomy, Classification, and Nomenclature of Viruses.** San Diego, CA: Elsevier Academic Press; 2005.
19. Hales LM, Knowles NJ, Reddy PS, Xu L, Hay C, Hallenbeck PL: **Complete genome sequence analysis of Seneca Valley virus-001, a novel oncolytic picornavirus.** *J Gen Virol* 2008, **89**:1265-1275.
20. Tseng CH, Tsai HJ: **Sequence analysis of a duck picornavirus isolate indicates that it together with porcine enterovirus type 8 and simian picornavirus type 2 should be assigned to a new picornavirus genus.** *Virus Res* 2007, **129**:104-114.

Publish with **BioMed Central** and every scientist can read your work free of charge

"BioMed Central will be the most significant development for disseminating the results of biomedical research in our lifetime."

Sir Paul Nurse, Cancer Research UK

Your research papers will be:

- available free of charge to the entire biomedical community
- peer reviewed and published immediately upon acceptance
- cited in PubMed and archived on PubMed Central
- yours — you keep the copyright

Submit your manuscript here:
http://www.biomedcentral.com/info/publishing_adv.asp

