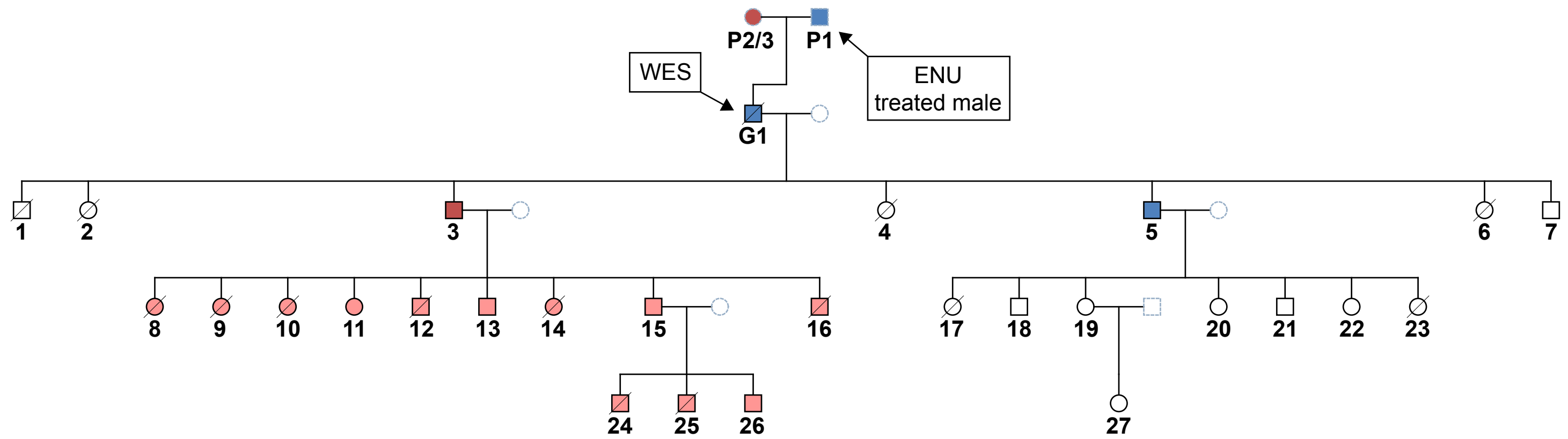


A

Segregation for *Pyhin1* in Pedigree 13

B

Segregation for *Figl2* in Pedigree 13